

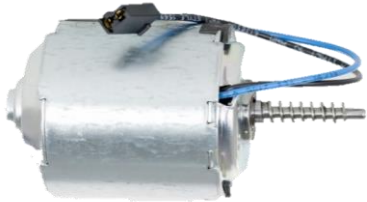
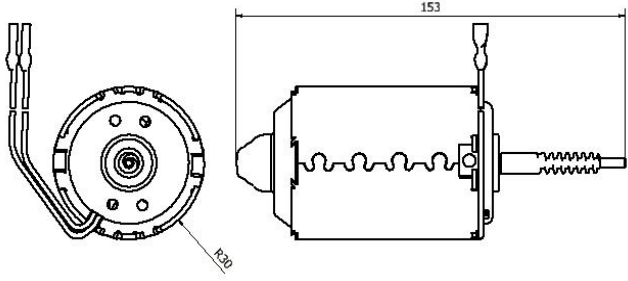

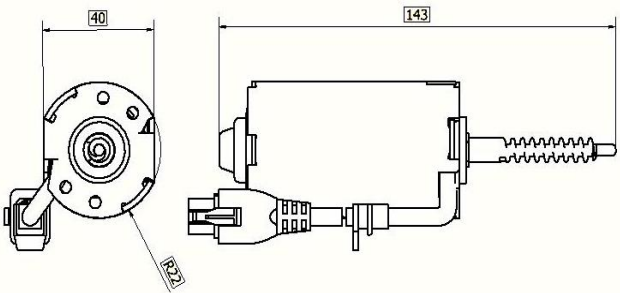
ZEM Sp z o.o.

DC Motors producer 12-24v with fractional power.

57-340 Duszniki-Zdrój ul. Sudecka 14


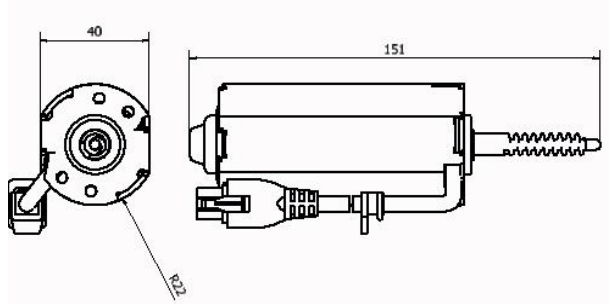

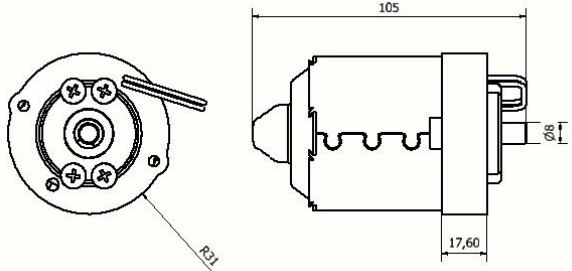


Products catalogue ZEM Sp. z o. o.

Product group	About product	Technical data						
200	<p><u>Electromotors series 200 are drive of linear actuators for medical equipment. Can be fitted with Hall sensor and EMC regulators.</u></p>	Voltage Un	Current In	Torque Mn	Speed n	Noisse N	Power P	Protection level
		[V]	[A]	[Nm]	[RPM]	[db]	[W]	[IP]
		12-24V	0,4-0,6	0,9-1,1	~2500	38	54-75	20
								
230	<p><u>Small Electromotors with one working speed and two spin directions with self braking force. Can be fit as drive of linear actuators. Emc regulator and Hall sensor can be included.</u></p>	Voltage Un	Current In	Torque Mn	Speed n	Noisse N	Power P	Protection level
		[V]	[A]	[Nm]	[RPM]	[db]	[W]	[IP]
		12-24	0,55-1,6	0,35-0,5	3800-6400	42	35-75	50
								


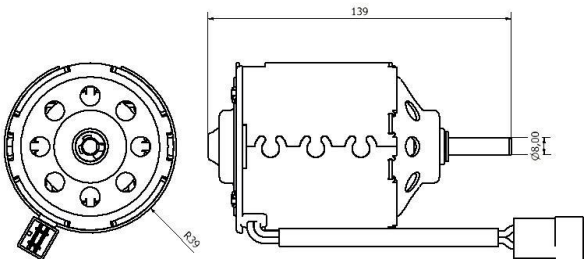

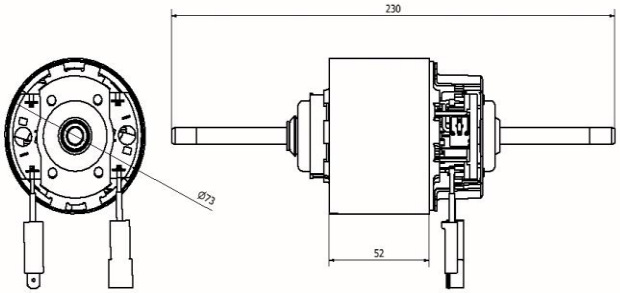


Products catalogue ZEM Sp. z o. o.

234	<p><u>Small Electromotors with one working speed and two spin directions with self braking force. Can be fit as drive of linear actuators. Emc regulator and Hall sensor can be included.</u></p>	Voltage Un	Current In	Torque Mn	Speed n	Noise N	Power P	Protection level
		[V]	[A]	[Nm]	[RPM]	[db]	[W]	[IP]
		12-24	0,4-0,6	0,9-1,1	~2500	38	54-75	20
	 							
300	<p><u>Electromotors with one working speed and right spin direction. This product Is used in air turbocharger and medical equipment.</u></p>	Voltage Un	Current In	Torque Mn	Speed n	Noise N	Power P	Protection level
		[V]	[A]	[Nm]	[RPM]	[db]	[W]	[IP]
		12-24	4,5-8	0,32	3800	55	60	20
	 							


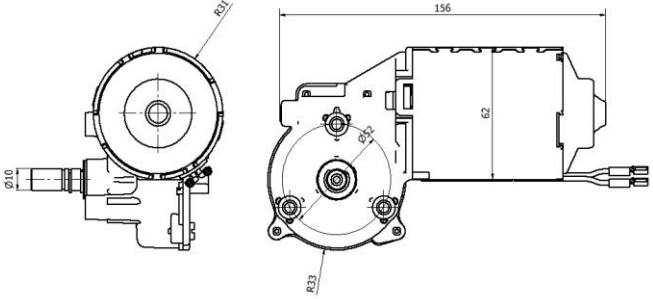

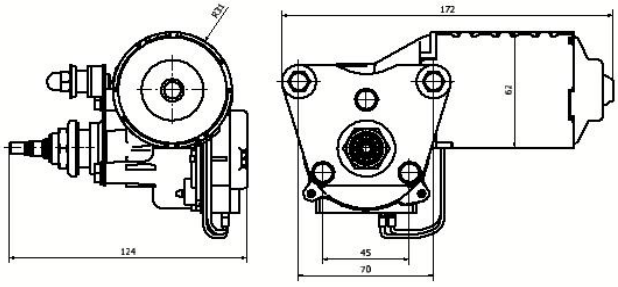


Products catalogue ZEM Sp. z o. o.

309	<p><u>Electromotors mainly used for heater and fan drive.</u></p>	Voltage Un	Current In	Torque Mn	Speed n	Noise N	Power P	Protection level
		[V]	[A]	[Nm]	[RPM]	[db]	[W]	[IP]
		12	12,5	0,285	3100	55	90	00
 		<p>Voltage Un</p>	Current In	Torque Mn	Speed n	Noise N	Power P	Protection level
[V]	[A]		[Nm]	[RPM]	[db]	[W]	[IP]	
12-24	10-18		027-0,3	4500	55	130-140	00	
380	<p><u>Electromotors with one working speed. Mostly used as heater fan.</u></p>	 						


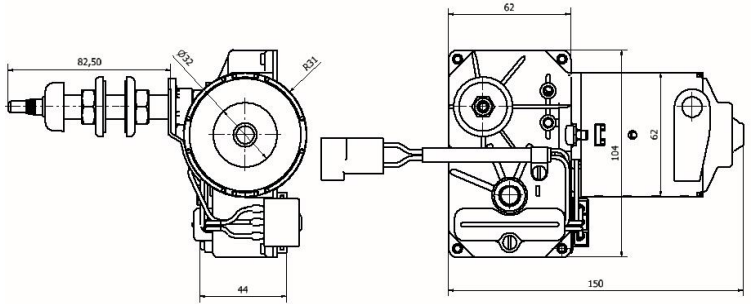

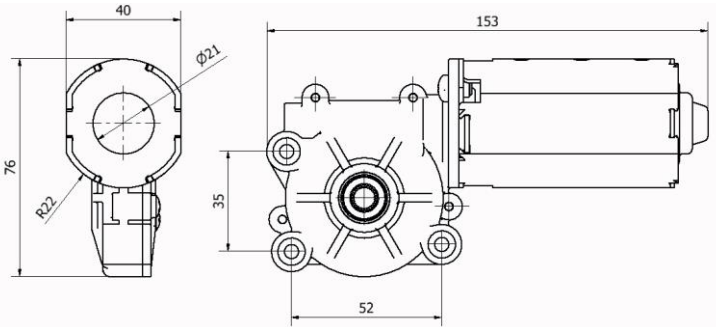


Products catalogue ZEM Sp. z o. o.

401	<p><u>Geared motor used in welding equipment and gate mechanism.</u></p>	<p>Voltage Un</p>	<p>Current In</p>	<p>Torque Mn</p>	<p>Speed n</p>	<p>Noise N</p>	<p>Power P</p>	<p>Protection level</p>
		<p>[V]</p>	<p>[A]</p>	<p>[Nm]</p>	<p>[RPM]</p>	<p>[db]</p>	<p>[Nm]</p>	<p>[IP]</p>
		<p>12-24</p>	<p>1-10</p>	<p>2,5-3</p>	<p>35-120</p>	<p>55</p>	<p>32</p>	<p>42</p>
								
407	<p><u>Geared motor mainly used as drive for windscreen wipers for construction and farm equipment.</u></p>	<p>Voltage Un</p>	<p>Current In</p>	<p>Torque Mn</p>	<p>Speed n</p>	<p>Noise N</p>	<p>Power P</p>	<p>Protection level</p>
		<p>[V]</p>	<p>[A]</p>	<p>[Nm]</p>	<p>[RPM]</p>	<p>[db]</p>	<p>[Nm]</p>	<p>[IP]</p>
		<p>12-24</p>	<p>1,5-3</p>	<p>1-2,5</p>	<p>30-63</p>	<p>55</p>	<p>22</p>	<p>42</p>
								


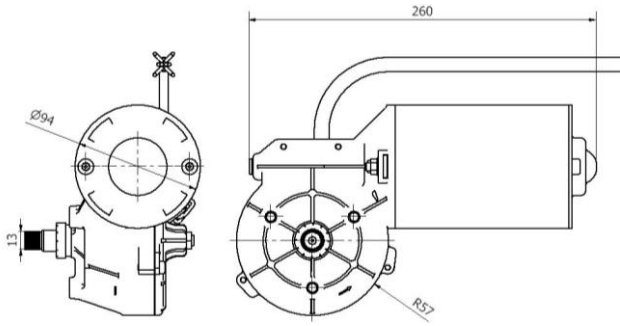

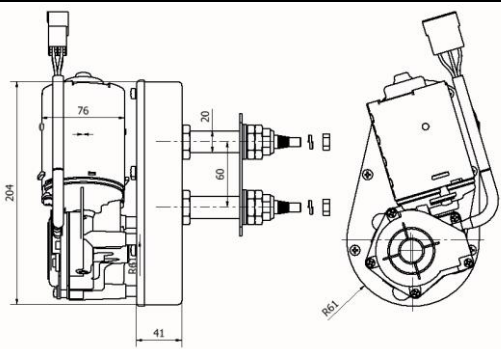


Products catalogue ZEM Sp. z o. o.

44X	<p><u>Geared motor mainly used as drive for windscreen wipers for construction and farm equipment.</u></p>	<p>Voltage Un</p>	<p>Current In</p>	<p>Torque Mn</p>	<p>Speed n</p>	<p>Range A</p>	<p>Power P</p>	<p>Protection level</p>
		[V]	[A]	[Nm]	[Cpm]	[°]	[Nm]	[IP]
		12-24	1,4-2,5	1	45	80-110	10	42
								
45X	<p><u>Geared motor with one working speed and two spin direction. Mainly used as drive of ergonomic high adjustable desk. Hall sensor and EMC regulator can be fitted.</u></p>	<p>Voltage Un</p>	<p>Current In</p>	<p>Torque Mn</p>	<p>Speed n</p>	<p>Noise N</p>	<p>Power P</p>	<p>Protection level</p>
		[V]	[A]	[Nm]	[RPM]	[db]	[W]	[IP]
		12-24V	3	1	85	38	54-75	53
								


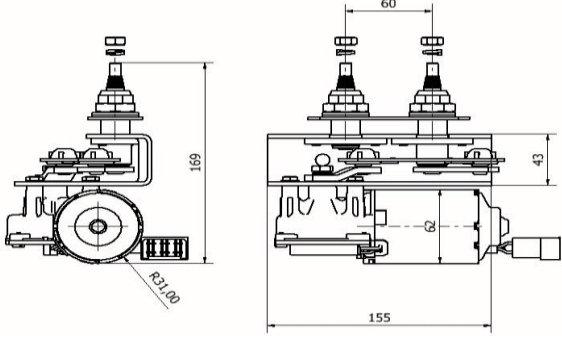


Products catalogue ZEM Sp. z o. o.

470	<p><u>Geared motor mainly used as drive for windscreen wipers for construction and farm equipment.</u></p>	Voltage Un	Current In	Torque Mn	Speed n	Noise N	Power P	Protection level
		[V]	[A]	[Nm]	[RPM]	[IP]	[Nm]	[IP]
		12-24V	8-11	12	20-35	44	100	44
 								
187	<p><u>Motor group for two wipers working in pantographic system. Two working speed and left or right parking position</u></p>	Voltage Un	Current In	Torque Mn	Speed n	Range A	Power P	Protection level
		[V]	[A]	[Nm]	[Cpm]	[°]	[Nm]	[IP]
		12-24	1,5-6	2,5-7	30-45	60-90	30	32
 								



Products catalogue ZEM Sp. z o. o.

189	<p><u>Motor group for two wipers working in pantographic system. Two working speed and left or right parking position</u></p>	Voltage U_n	Current I_n	Torque M_n	Speed n	Range A	Power P	Protection level
		[V]	[A]	[Nm]	[Cpm]	[°]	[Nm]	[IP]
		12-24	1,6-3	3	30-45	60-110	28	42
								
192	<p><u>Motor group with two working speed and left or right parking position</u></p>	Voltage U_n	Current I_n	Torque M_n	Speed n	Range A	Power P	Protection level
		[V]	[A]	[Nm]	[Cpm]	[°]	[Nm]	[IP]
		12-24	1,6-5	2,5	30-45	60-105	27	42
